

Lecture 2: different memory and variable types

Prof. Mike Giles

`mike.giles@maths.ox.ac.uk`

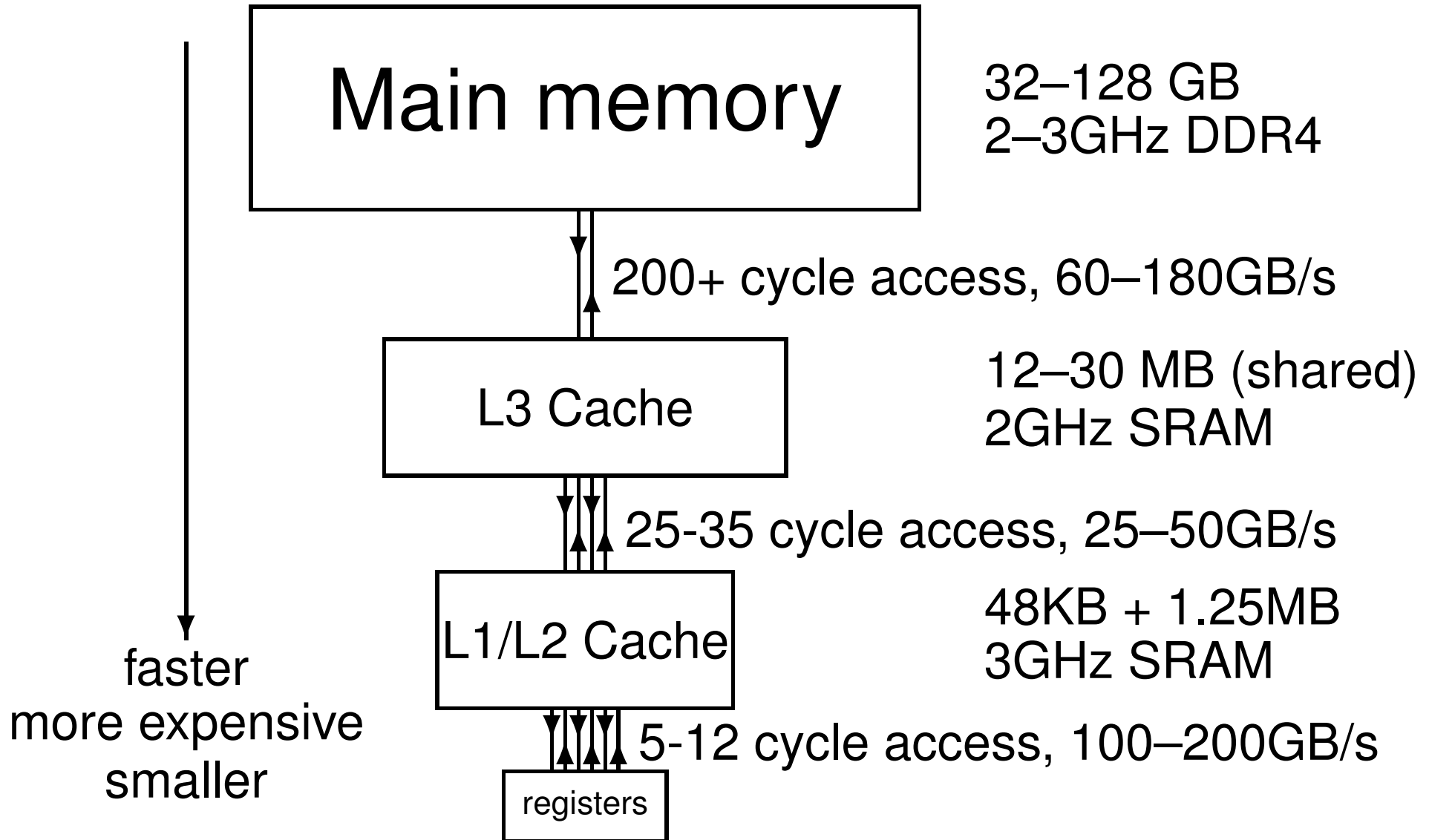
Oxford University Mathematical Institute

Memory

Key challenge in modern computer architecture

- no point in blindingly fast computation if data can't be moved in and out fast enough
- need lots of memory for big applications
- very fast memory is also very expensive
- end up being pushed towards a hierarchical design

CPU Memory Hierarchy



Memory Hierarchy

Execution speed relies on exploiting data *locality*

- temporal locality: a data item just accessed is likely to be used again in the near future, so keep it in the cache
- spatial locality: neighbouring data is also likely to be used soon, so load them into the cache at the same time using a 'wide' bus (like a multi-lane motorway)

This wide bus is only way to get high bandwidth to slow main memory

Caches

The cache line is the basic unit of data transfer; typical size is 64 bytes $\equiv 8 \times 8$ -byte items.

With a single cache, when the CPU loads data into a register:

- it looks for line in cache
- if there (hit), it gets data
- if not (miss), it gets entire line from main memory, displacing an existing line in cache (usually least recently used)

When the CPU stores data from a register:

- same procedure

Importance of Locality

Typical workstation:

20 Gflops per core

40 GB/s L3 \longleftrightarrow L2 cache bandwidth

64 bytes/line

40GB/s \equiv 600M line/s \equiv 5G double/s

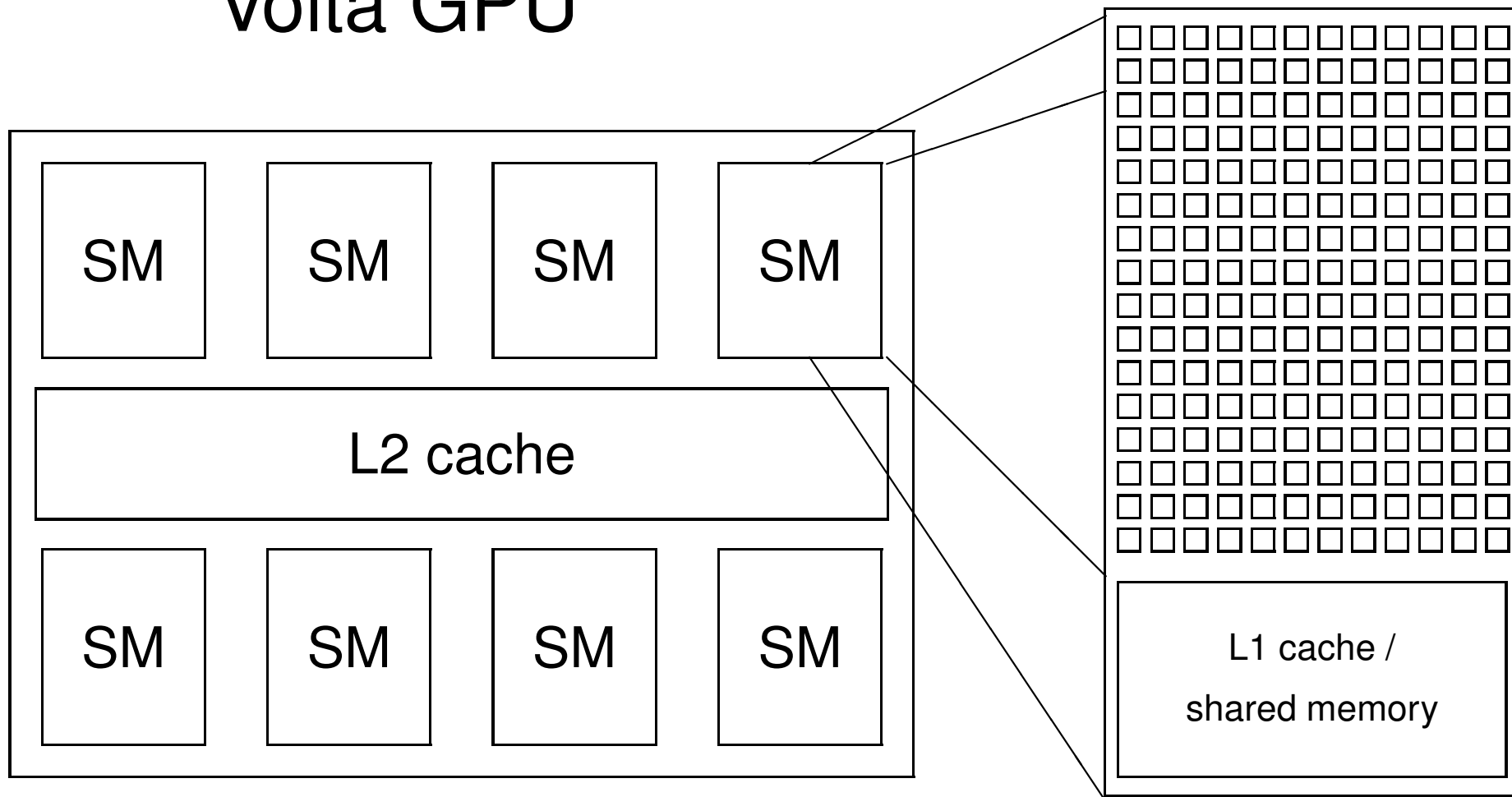
At worst, each flop requires 2 inputs and has 1 output,
forcing loading of 3 lines \implies 200 Mflops

If all 8 variables/line are used, then this increases to 1.6
Gflops.

To get up to 20Gflops needs temporal locality, re-using data
already in the L2 cache.

GPU Architecture

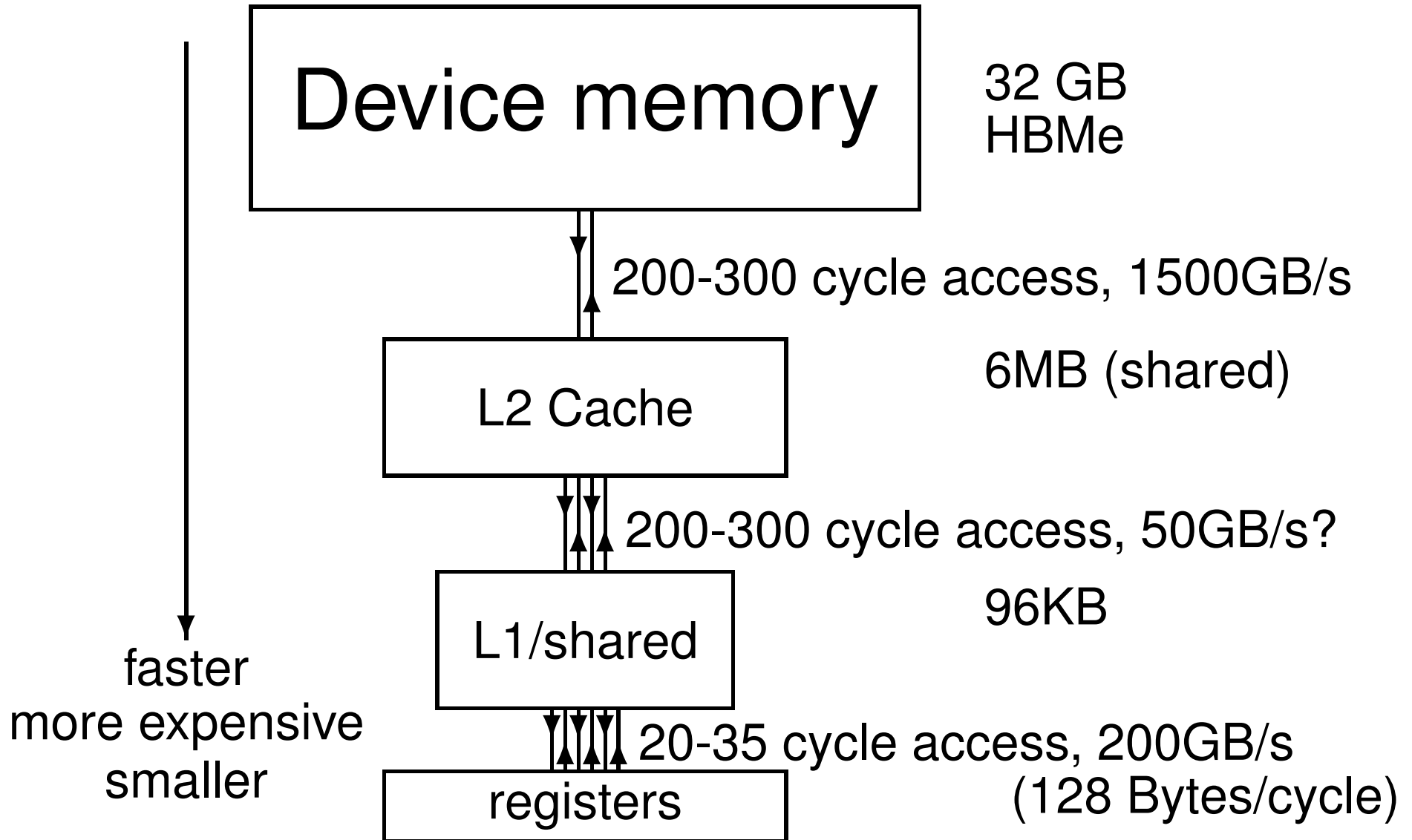
Volta GPU



Volta

- usually 32 bytes cache line (8 floats or 4 doubles)
- V100: 4096-bit memory path from HBM2e device memory to L2 cache \implies up to 900 GB/s bandwidth
- unified 6MB L2 cache for all SM's
- each SM has 96kB of shared memory / L1 cache
- no global cache coherency as in CPUs, so should (almost) never have different blocks updating the same global array elements

GPU Memory Hierarchy



Importance of Locality

20Tflops GPU

1280 GB/s memory \longleftrightarrow L2 cache bandwidth

32 bytes/line

1280 GB/s \equiv 40G line/s \equiv 160G double/s

At worst, each flop requires 2 inputs and has 1 output,
forcing loading of 3 lines \implies 13 Gflops

If all 4 doubles/line are used, increases to 50 Gflops

To get up to 8 TFlops needs about 50 flops per double
transferred to/from device memory

Even with careful implementation, many algorithms are
bandwidth-limited not compute-bound

Practical 1 kernel

```
__global__ void my_first_kernel(float *x)
{
    int tid = threadIdx.x + blockDim.x*blockIdx.x;

    x[tid] = threadIdx.x;
}
```

- 32 threads in a warp will address neighbouring elements of array x
- if the data is correctly “aligned” so that $x[0]$ is at the beginning of a cache line, then $x[0] - x[31]$ will be in same cache line – a “coalesced” transfer
- hence we get perfect spatial locality

A bad kernel

```
__global__ void bad_kernel(float *x)
{
    int tid = threadIdx.x + blockDim.x*blockIdx.x;

    x[1000*tid] = threadIdx.x;
}
```

- in this case, different threads within a warp access widely spaced elements of array x – a “strided” array access
- each access involves a different cache line, so performance will be much worse

Global arrays

So far, concentrated on global / device arrays:

- held in the large device memory
- allocated by host code
- pointers held by host code and passed into kernels
- continue to exist until freed by host code
- since blocks execute in an arbitrary order, if one block modifies an array element, no other block should read or write that same element

Global variables

Global variables can also be created by declarations with global scope within kernel code file

```
__device__ int reduction_lock=0;
```

```
__global__ void kernel_1(...) {  
    ...  
}
```

```
__global__ void kernel_2(...) {  
    ...  
}
```

Global variables

- the `__device__` prefix tells `nvcc` this is a global variable in the GPU, not the CPU.
- the variable can be read and modified by any kernel
- its lifetime is the lifetime of the whole application
- can also declare arrays of fixed size
- can read/write by host code using special routines `cudaMemcpyToSymbol`, `cudaMemcpyFromSymbol` or with standard `cudaMemcpy` in combination with `cudaGetSymbolAddress`
- in my own CUDA programming, I rarely use this capability but it is occasionally very useful

Constant variables

Very similar to global variables, except that they can't be modified by kernels:

- defined with global scope within the kernel file using the prefix `__constant__`
- initialised by the host code using `cudaMemcpyToSymbol`, `cudaMemcpyFromSymbol` or `cudaMemcpy` in combination with `cudaGetSymbolAddress`
- I use it all the time in my applications; practical 2 has an example

Constant variables

Only 64KB of constant memory, but big benefit is that each SM has a 8KB cache

- when all threads read the same constant, almost as fast as a register
- doesn't tie up a register, so very helpful in minimising the total number of registers required

Constants

A constant variable has its value set at run-time

But code also often has plain constants whose value is known at compile-time:

```
#define PI 3.1415926f  
  
a = b / (2.0f * PI);
```

Leave these as they are – they seem to be embedded into the executable code so they don't use up any registers

Don't forget the `f` at the end if you want single precision;
in C/C++

single \times double = double

Registers

Within each kernel, by default, individual variables are assigned to registers:

```
__global__ void lap(int I, int J,
                   float *u1, float *u2) {
    int i  = threadIdx.x + blockIdx.x*blockDim.x;
    int j  = threadIdx.y + blockIdx.y*blockDim.y;
    int id = i + j*I;

    if (i==0 || i==I-1 || j==0 || j==J-1) {
        u2[id] = u1[id];    // Dirichlet b.c.'s
    }
    else {
        u2[id] = 0.25f * ( u1[id-1] + u1[id+1]
                          + u1[id-I] + u1[id+I] );
    }
}
```

Registers

- 64K 32-bit registers per SM
- up to 255 registers per thread
- up to 2048 threads per SM (at most 1024 per thread block)
- max registers per thread \implies 256 threads
- max threads \implies 32 registers per thread
- $8\times$ difference between “fat” and “thin” threads

Registers

What happens if your application needs more registers?

They “spill” over into L1 cache, and from there to device memory – precise mechanism unclear, but

either certain variables become device arrays with one element per thread

or the contents of some registers get “saved” to device memory so they can be used for other purposes, then the data gets “restored” later

Either way, the application suffers from the latency and bandwidth implications of using device memory

Local arrays

What happens if your application uses a little array?

```
__global__ void lap(float *u) {  
  
    float ut[3];  
  
    int tid = threadIdx.x + blockIdx.x*blockDim.x;  
  
    for (int k=0; k<3; k++)  
        ut[k] = u[tid+k*gridDim.x*blockDim.x];  
  
    for (int k=0; k<3; k++)  
        u[tid+k*gridDim.x*blockDim.x] =  
            A[3*k]*ut[0]+A[3*k+1]*ut[1]+A[3*k+2]*ut[2];  
}
```

Local arrays

In simple cases like this (quite common) compiler converts to scalar registers:

```
__global__ void lap(float *u) {
int tid = threadIdx.x + blockIdx.x*blockDim.x;
float ut0 = u[tid+0*gridDim.x*blockDim.x];
float ut1 = u[tid+1*gridDim.x*blockDim.x];
float ut2 = u[tid+2*gridDim.x*blockDim.x];

u[tid+0*gridDim.x*blockDim.x] =
    A[0]*ut0 + A[1]*ut1 + A[2]*ut2;
u[tid+1*gridDim.x*blockDim.x] =
    A[3]*ut0 + A[4]*ut1 + A[5]*ut2;
u[tid+2*gridDim.x*blockDim.x] =
    A[6]*ut0 + A[7]*ut1 + A[8]*ut2;
}
```

Local arrays

In more complicated cases, array is put into device memory

- this is because registers are not dynamically addressable – compiler has to specify exactly which registers are used for each instruction
- still referred to in the documentation as a “local array” because each thread has its own private copy
- held in L1 cache by default, may never be transferred to device memory
- 96kB of L1 cache equates to 24k 32-bit variables, which is 24 per thread when using 1024 threads
- beyond this, it will have to spill to device memory

Shared memory

In a kernel, the prefix `__shared__` as in

```
__shared__ int    x_dim;  
__shared__ float x[128];
```

declares data to be shared between all of the threads in the thread block – any thread can set its value, or read it.

There can be several benefits:

- essential for operations requiring communication between threads (e.g. summation in lecture 4)
- useful for data re-use
- alternative to local arrays in device memory

Shared memory

If a thread block has more than one warp, it's not pre-determined when each warp will execute its instructions – warp 1 could be many instructions ahead of warp 2, or well behind.

Consequently, almost always need thread synchronisation to ensure correct use of shared memory.

Instruction

```
__syncthreads();
```

inserts a “barrier”; no thread/warp is allowed to proceed beyond this point until the rest have reached it (like a roll call on a school outing)

Shared memory

So far, have discussed statically-allocated shared memory
– the size is known at compile-time

Can also create dynamic shared-memory arrays but this is more complex

Total size is specified by an optional third argument when launching the kernel:

```
kernel<<<blocks, threads, shared_bytes>>> (...)
```

Using this within the kernel function is complicated/tedious;
see Section 7.2.3 in CUDA C++ Programming Guide

Read-only arrays

With “constant” variables, each thread reads the same value.

In other cases, we have arrays where the data doesn't change, but different threads read different items.

In this case, can get improved performance by telling the compiler by declaring global array with

```
const __restrict__
```

qualifiers so that the compiler knows that it is read-only

Vector variables / 16-bit floats

Section 7.3 of CUDA C++ Programming Guide: CUDA defines small vectors

- `double2`, `double3`, `double4`: 2, 3, or 4 doubles
- `float2`, `float3`, `float4`: 2, 3, or 4 floats
- similar for ints, uints, etc.

Individual components are labelled `.x`, `.y`, `.z`, `.w`

Also, CUDA defines two kinds of 16-bit floats

- `half`, `half2`: IEEE fp16 variables
(very limited range: $6 \times 10^{-5} - 6 \times 10^4$)
- `bfloat16`, `bfloat162`: bfloat16 variables
(same range as `float` but much lower precision)

Built-in variables

Section 7.4 of CUDA C++ Programming Guide:

- `gridDim`: **type** `dim3` (like `uint3` but all three components `.x`, `.y`, `.z` initialised to 1 by default)
- `blockIdx`: **type** `uint3`
- `blockDim`: **type** `dim3`
- `threadIdx`: **type** `uint3`
- `warpSize`: **type** `int`
(always 32 so far, but might change in future?)

Non-blocking loads/stores

What happens with the following code?

```
__global__ void lap(float *u1, float *u2) {  
    float a;  
  
    a = u1[threadIdx.x + blockIdx.x*blockDim.x]  
    ...  
    ...  
    c = b*a;  
    u2[threadIdx.x + blockIdx.x*blockDim.x] = c;  
    ...  
    ...  
}
```

Load doesn't block until needed; store also doesn't block

Active blocks per SM

Each block require certain resources:

- threads
- registers (registers per thread \times number of threads)
- shared memory (static + dynamic)

Together these determine how many blocks can be run simultaneously on each SM – up to a maximum of 32 blocks

Active blocks per SM

My general advice:

- number of active threads depends on number of registers each needs
- good to have at least 4 active blocks per SM, each with at least 128 threads
- smaller number of blocks when each needs lots of shared memory
- larger number of blocks when they don't need any shared memory

Active blocks per SM

On Volta:

- maybe 4 big blocks (512 threads) if each needs a lot of shared memory
- maybe 12 small blocks (128 threads) if no shared memory needed
- or 4 small blocks (128 threads) if each thread needs lots of registers

Very important to experiment with different block sizes to find what gives the best performance.

Summary

- dynamic device arrays
- static device variables / arrays
- constant variables / arrays
- registers
- spilled registers
- local arrays
- shared variables / arrays

Key reading

CUDA C++ Programming Guide:

- Sections 7.1-7.4 – essential
- Sections 3.2.2, 3.2.4

Other reading:

- Wikipedia article on caches:
`en.wikipedia.org/wiki/CPU_cache`